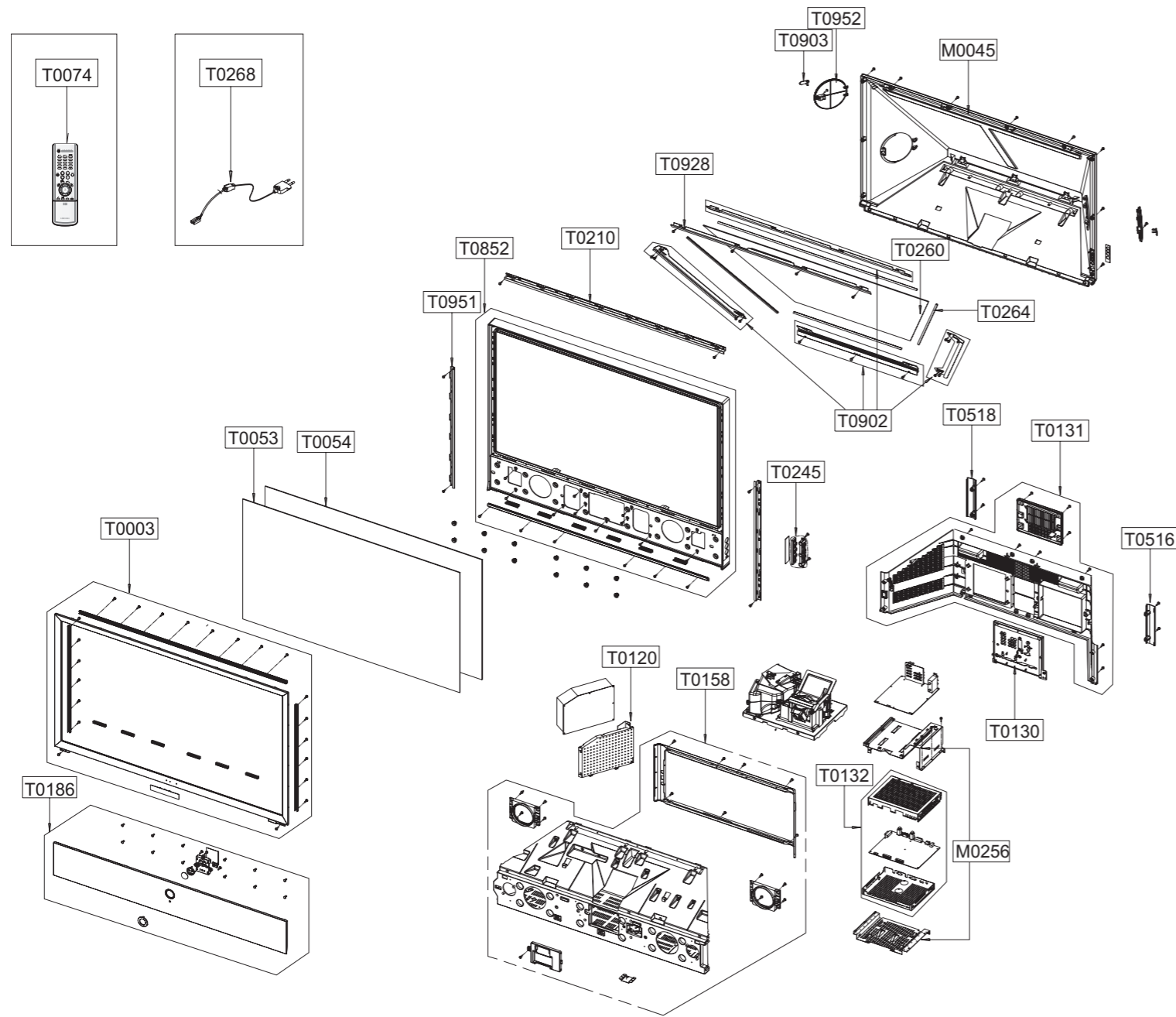


4. Exploded View & Part List

4-1 PT50DL14X/SMS



Loc.No.	Code No.	Description	Specification	Q'ty	SA/SNA	Remark
M0045	BP64-00380A	CABINET BACK-TOP	50L3,HIPS,3.5,HB,GRAY	1	S.A	
M0256	BP96-00849F	ASSY BRACKET P-MAIN PCB	L3,L6,L7,SECC,T1	1	S.A	
T0003	BP96-00893C	ASSY COVER P-FRONT	50L4,SEA(L64C),HIPS,H	1	S.A	
T0053	BP67-00140A	SCREEN FRESNEL	50W,1126*646,1.5T	1	S.A	
T0054	BP67-00137A	SCREEN LENTI	50W,1126*646,2.4T	1	S.A	
T0074	BP59-00100A	REMOCON	HURRICANE, TM65,205*50*30,ZILOG 5	1	S.A	
T0120	BP94-02141B	ASSY PCB POWER	HL-P5067,L64A,L3,AC120V,P	1	S.A	
T0130	BP96-00848K	ASSY COVER P-TERMINAL BOARD	50L6(L64C),A	1	S.N.A	
T0131	BP96-00568F	ASSY COVER P-BACK BOT	L3,HIPS,V0,GRY,(L6	1	S.N.A	
T0132	BP94-02224E	ASSY PCB MISC-DIGITAL	PT50DL14X/SMS,L64C	1	S.A	
T0158	BP96-00533C	ASSY COVER P-MAIN	L3 ALL,HIPS,V0,GR503	1	S.A	
T0186	BP96-00894B	ASSY COVER P-GRILLE	50L4,SEA,HIPS,HB,GR5	1	S.N.A	
T0210	BP61-00540A	BRACKET-SCREEN TOP	50L3,SECC,T1.0	1	S.A	
T0245	BP94-02140D	ASSY PCB MISC-KEY CONTROL	HLP5063W,L62B,	1	S.A	
T0260	BP67-00096A	MIRROR	MIRROR FRONT 50",GLASS,1100X580X5	1	S.A	
T0264	BP60-00032L	SPACER-MIRROR	50L3,EVA,490,T1.0,28	4	S.N.A	
T0516	BP61-00527A	HOLDER-BACK RIGHT	50L3,HIPS HB,GRAY	1	S.A	
T0518	BP61-00526A	HOLDER-BACK LEFT	50L3,HIPS HB,GRAY	1	S.A	
T0852	BP96-00531C	ASSY COVER P-MIDDLE	50L3,HIPS,HB,GR503,S	1	S.A	
T0902	BP96-00932A	ASSY BRACKET P-MIRROR	50L3,SECC	1	S.A	
T0903	BP61-00528A	HOLDER-DUST	50L3,HIPS HB,GRAY	2	S.N.A	
T0928	BP61-00537A	BRACKET-MIRROR TOP(T)	50L3,SECC,T 1.6	1	S.N.A	
T0951	BP61-00542A	BRACKET-SCREEN SIDE	50L3,SECC,T1.0	2	S.A	
T0952	BP63-00294B	COVER DUST-ASSY	L6,HIPS,HB,GRAY	2	S.N.A	